

PPG + Glass Filled
SERIES : DPS
SIZES : Full 8" Orifice
DIAPHRAGM : Nylon Fabric
FDA Approved



Dry Pro Series

The Dry Pro Series is a Hopper/Bag bottom throttling Valve for bulk solids handling, especially suited for corrosive applications. By rotating the ratchet type handle the heavy duty nylon fabric diaphragm opens and closes like that of an Iris of a camera.

Light Weight

Corrosion Proof

Ideal for Dry Solids

Features

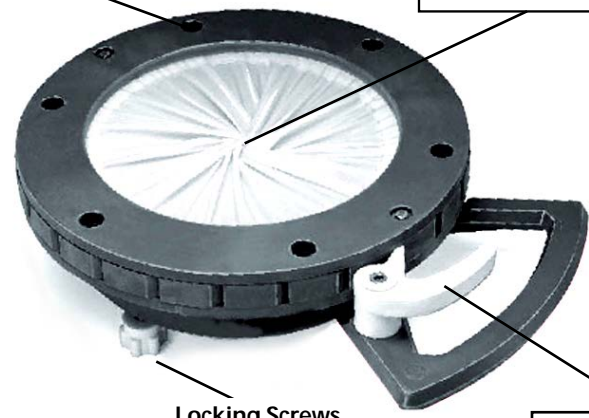
- ▶ **High Chemical Resistance**
All Plastic Body of Glass Reinforced polypropylene and Nylon diaphragm provides excellent corrosion resistance to a wide range of materials
- ▶ **No contamination of product**
Valve cannot rust - Perfect for corrosive environment
- ▶ **Approved for Food**
Materials of construction are food approved
- ▶ **Adjustable Flow Capacity**
Orifice diameter is adjustable by rotating control handle. Position lock holds opening in diaphragm.
- ▶ **Easy Installation**
Valve is lightweight and has 6 bolt holes for mounting onto 8" hopper flange



Full Port Design

Excellent Corrosion Resistance

Tough Nylon Fabric Diaphragm to provide long, maintenance-free operation



Locking Screws

Throttling Ratchet Action Trigger



Full Port Design

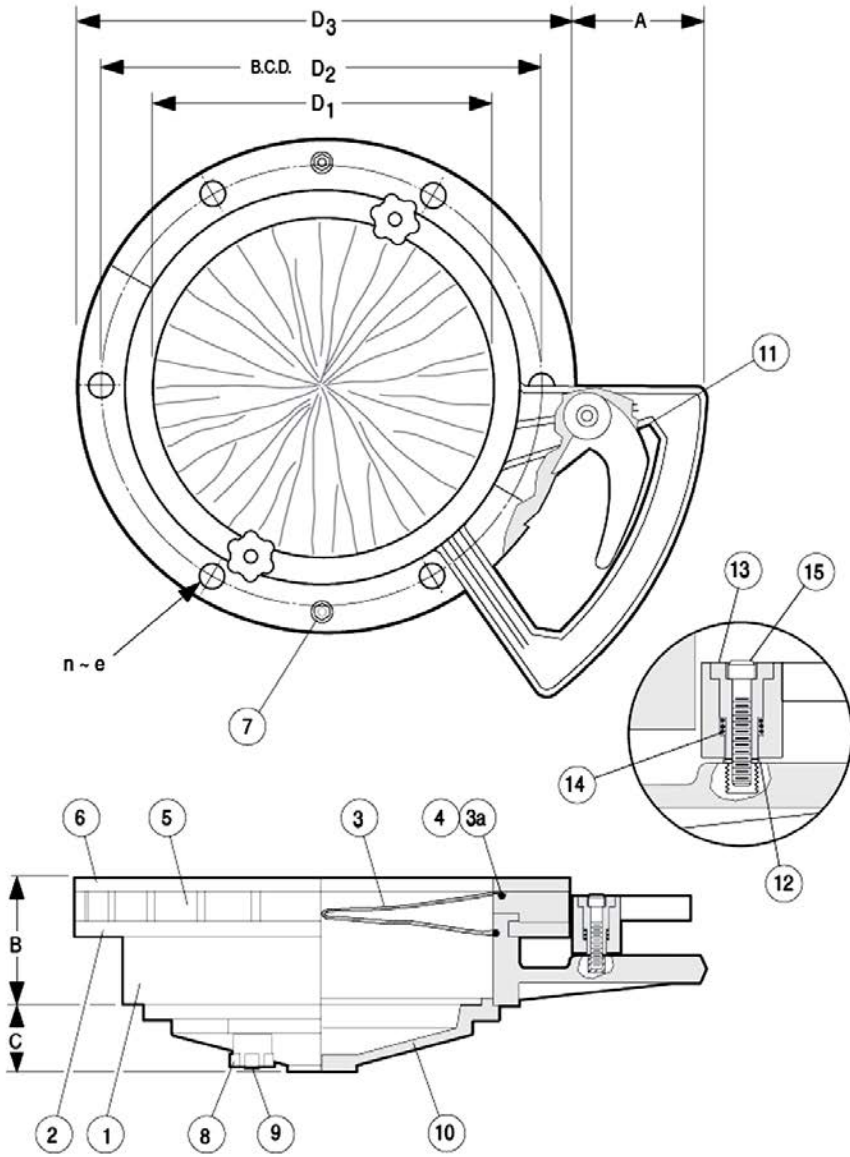


All Plastic High Impact Lid

PPG + Glass Filled
 SERIES : DPS
 SIZES : Full 8" Orifice
 DIAPHRAGM : Nylon Fabric
 FDA Approved



Diaphragm Valves



PARTS

▲ Recommended Spare Parts

No.	Part	Pcs.	Materials
1	Body	1	PPG
2	Split Ring	2	PPG
3▲	Sleeve (Diaphragm)	1	Nylon Fabric
3a	Sleeve Ring	2	Stainless Steel
4	Sleeve Anchor Screw	2	Stainless Steel
5	Notched Ring	1	PPG
6	Retaining Ring	1	PPG
7	Hex Nut and Bolt	2	Stainless Steel
8	Thumb Screw	2	Polypropylene
9	Thumb Screw Stub	2	Stainless Steel
10	Cover	1	PPG
11	Trigger	1	Polypropylene
12	Lock Washer	1	Stainless Steel
13	Trigger Post	1	Polypropylene
14	Trigger Spring	1	Stainless Steel
15	Socket Bolt	1	Stainless Steel

TEMPERATURE RANGE

▶ -20 to 90°C (-4 to 194°F)

WEIGHT

▶ 5.0 LB.

ORDERING EXAMPLE

IDB080
 Iris Diaphragm Valve, PP body,
 8" diameter.

Dimensions Inches

Size	A	B*	C	D ₁	D ₂	D ₃	n	e
8"	3.13	2.95	1.35	8.00	10.22	11.50	6	0.56

*Dimension B including diaphragm hanging in open position is 5.3".